

W-Tec 3D+
concealed hinges by SFS intec
created for designer interiors





SFS intec turn ideas into reality

W-Tec 3D+

concealed hinges
for designer doors

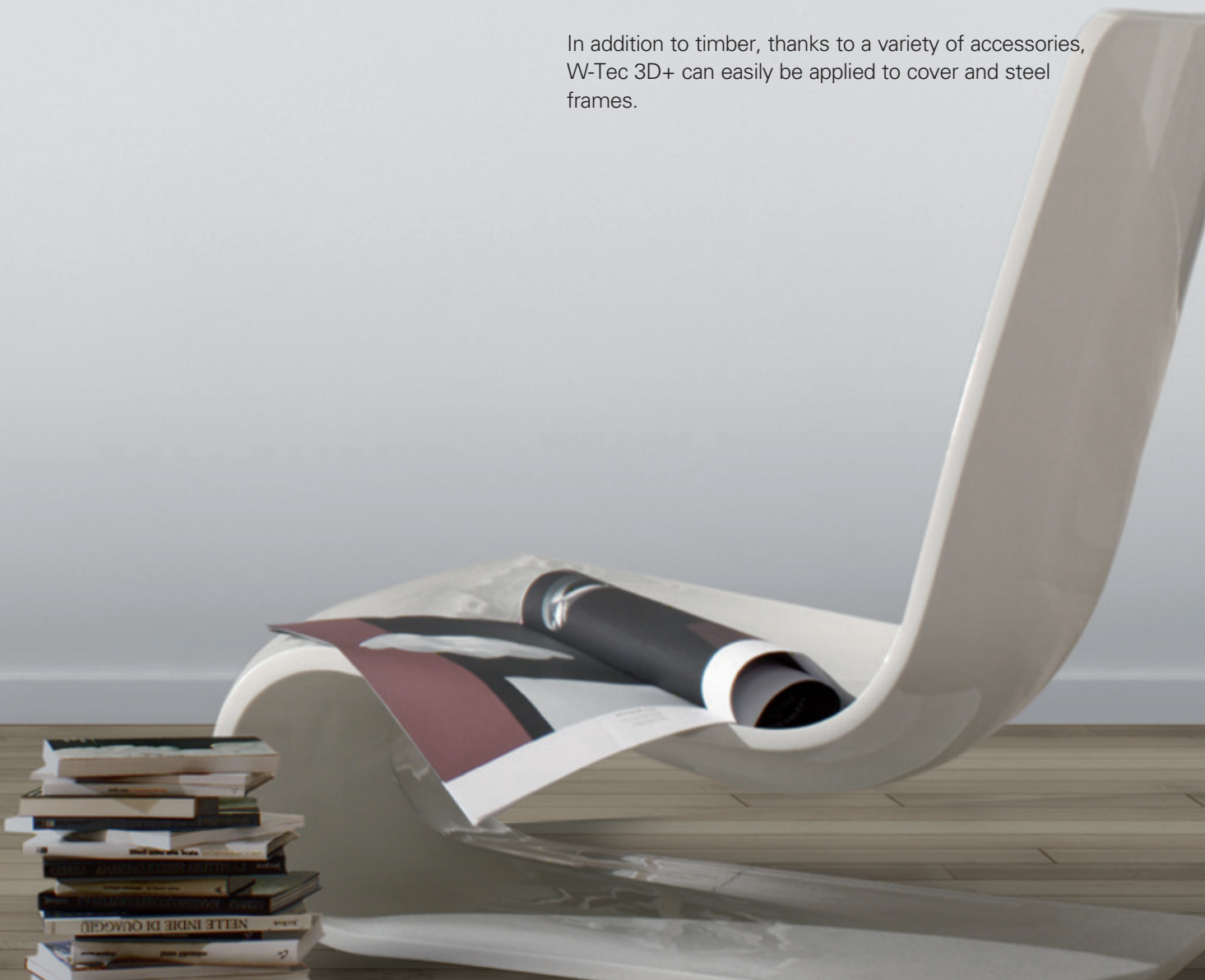
What was missing in the market is offered today by SFS intec. The new W-Tec 3D+ is a robust hinge, specifically designed to stabilise the opening and closing of the door.

The new kinematic hinge mechanism keeps the door stable over time, without the need for adjustments, once mounted and set.

W-Tec 3D+ can be adjusted in height, laterally and depth and is available in three versions, to meet different capacity requirements.

In addition, the W-Tec 3D+ 100 and W-Tec 3D+ 160 versions are interchangeable and can be applied to the same milling, allowing the client to choose the appropriate capacity hinge at time of production, based on load capacity requirements, optimising warehouse inventory.

In addition to timber, thanks to a variety of accessories, W-Tec 3D+ can easily be applied to cover and steel frames.





SFS intec turn ideas into reality

W-Tec 3D+

long-term stability

Stability and durability.

The unique, new 7-axis kinematic mechanism, the use of three levers which handle the weight of the door in an innovative manner and carefully chosen materials for the levers maximise efficiency in a defined application, make the hinge particularly stable over time. There is no need for further adjustments, once the door has been mounted and set.

Handling without a drop in performance.

Our patented kinematic mechanism keeps the door straight and prevents elliptical movement when opening and closing. Thanks to this feature, there is minimum wear and tear, even with the use of door closers.

Ease of adjustment

Once assembled, the hinge can easily be set by one person thanks to the innovative, independent adjustments.

Suitable for any frame.

All three versions can be applied easily on any frame: timber, cover or steel with the appropriate accessories.

Interchangeability

The high range versions for heavy doors W-Tec 3D+ 100 and 160 are interchangeable. This feature allows the user to always mill frames and doors with the same sizes, being able to choose the hinge most suitable for the weight and use of the door as appropriate.



Adjustments of the hinge
 Y = height adjustment +/- 3 mm
 X = lateral adjustment +/- 3 mm
 Z = gasket pressure +/- 1 mm



W-Tec 3D+

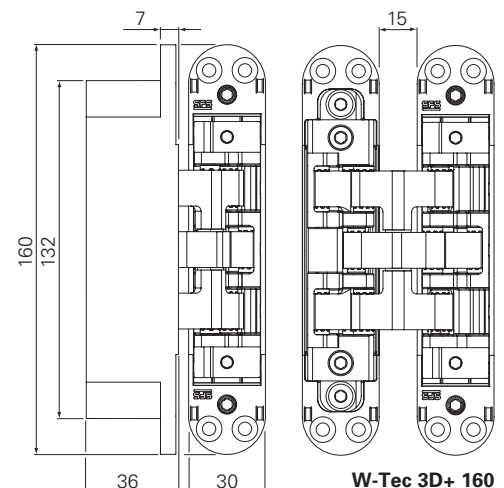
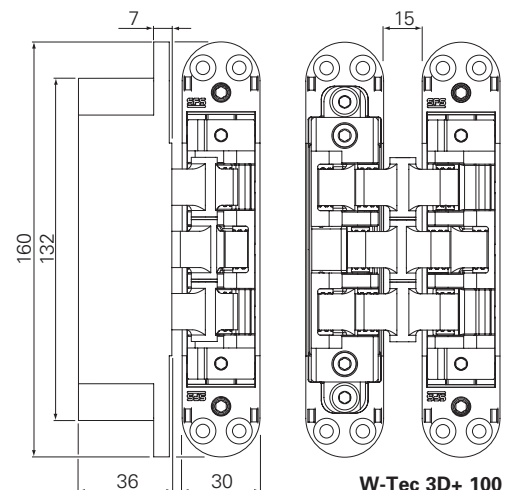
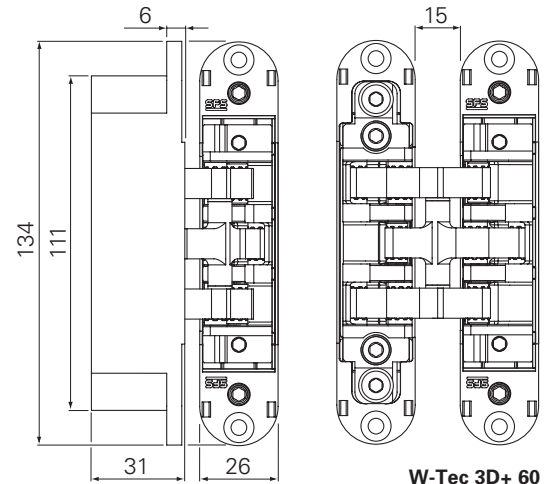
ease of adjustment

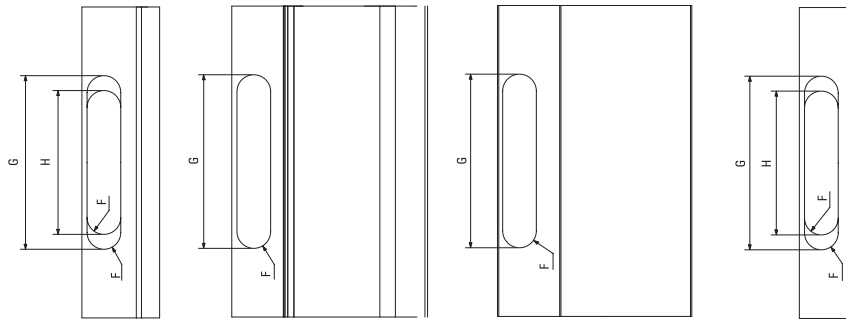
SFS intec

- independent adjustments possible by a single person
- adjustable in height, laterally and gasket pressure
- new 7-axis kinematic mechanism
- 3 levers always keep the mechanism aligned
- the levers are independent from each other
- individual levers transfer the weight in an innovative way
- material for the levers was chosen for maximum performance
- hinge stable over time
- no need for intervention once mounted and set
- perfectly perpendicular functionality minimises wear and tear even with the use of door closers
- door hinge ranges up to 60 kg, 100 kg and 160kg.
- symmetrical milling with two depths
- simple independent adjustments
- various finishes
- milling devices available

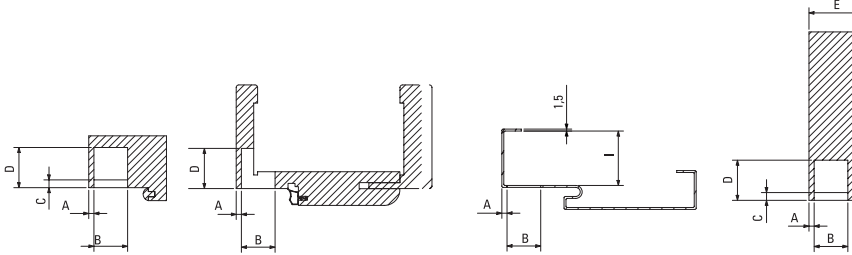
The W-Tec 3D+ hinge is an SFS intec product, guaranteeing quality thanks to strict controls both in the process and in tests performed on the hinge itself.

SFS intec is also available to offer solutions tailored to specific customer needs.





Rif.	W-Tec 3D+ 60	W-Tec 3D+ 100	W-Tec 3D+ 160
A	4	4	4
B	26	30	30
C	6	7	7
D	31	36	36
E	Min. 34	Min. 38	Min. 38
F	13	15	15
G	134	160	160
H	111	132	132
I	Min. 35	Min. 40	Min. 40



Kit reinforcing plate for cover frame

Kit W-Tec 3D+ 60 (Packaging 10 pcs)	1364646
Kit W-Tec 3D+ 100/160 (Packaging 10 pcs)	1364662



Milling Jig with insert

Milling jig	1272844
Insert for W-Tec 3D+ 60 (cutter Ø 20 and guide ring Ø 30)	1365130
Insert for W-Tec 3D+ 100/160 (cutter Ø 20 and guide ring Ø 30)	1365131
Insert for W-Tec 3D+ 60 (cutter Ø 16 and guide ring Ø 27)	1365239
Insert for W-Tec 3D+ 100/160 (cutter Ø 16 and guide ring Ø 27)	1365240



Support for steel frame

Support W-Tec 3D+ 60 (Packaging 10 pcs)	1365299
Support W-Tec 3D+ 100/160 (Packaging 10 pcs)	1365313

Hinge order code	Finishing	Packaging
1368013 W-Tec 3D+ 60	Zinc GSS	3 pcs
1367891 W-Tec 3D+ 100	Zinc GSS	2 pcs
1368077 W-Tec 3D+ 160	Zinc GSS	2 pcs
1363508 W-Tec 3D+ 60	Matt chrome	3 pcs
1361257 W-Tec 3D+ 100	Matt chrome	2 pcs
1364565 W-Tec 3D+ 160	Matt chrome	2 pcs
1364563 W-Tec 3D+ 60	Inox look brushed	3 pcs
1363919 W-Tec 3D+ 100	Inox look brushed	2 pcs
1364572 W-Tec 3D+ 160	Inox look brushed	2 pcs

made in Italy

Registered design & Patent pending

SFS intec S.p.A.

I-33170 Pordenone
Via Castelfranco Veneto 71

Tel. 0434 9951
Fax 0434 995201
it.pordenone@sfsintec.biz
www.sfsintec.biz/it

SFS intec
Turn ideas into reality