



**GLUSKE
BKV**

GLUSKE-BKV GmbH
Hatzfelder Straße 161-163
42281 Wuppertal, Germany
Tel. +49 (0)202 27057-0
Fax +49 (0)202 27057-250
info@gluske-bkv.de
www.gluske-bkv.de



**GLUSKE
BKV**



**GLUSKE
BKV**

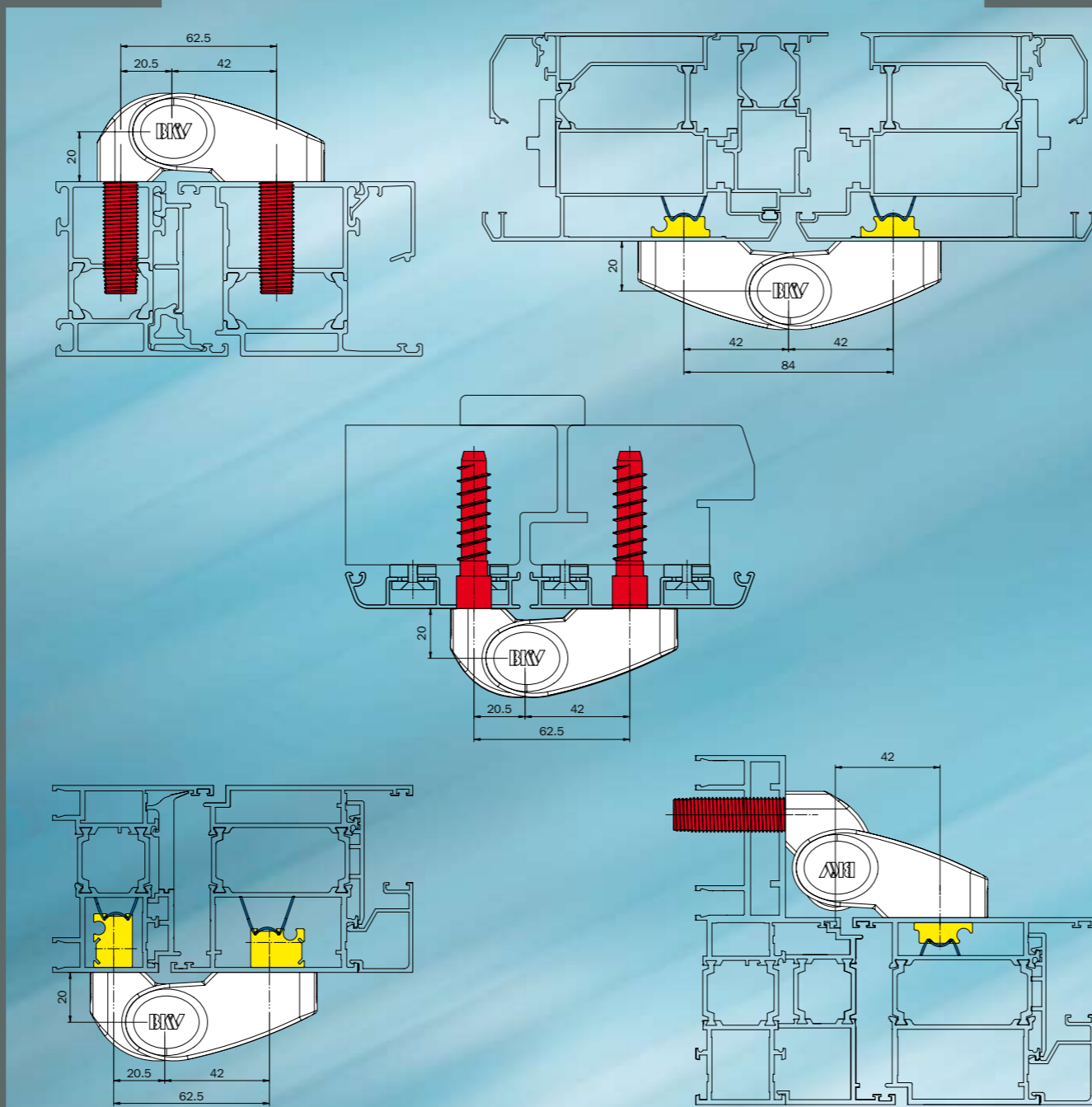
BKV 120 ATB

The 3-part alternative



- The hinge for heavily used aluminium doors up to 160 kg
- CE certified (EC Declaration of Conformity 1309-CPD-0077)
- Other product features see BKV 80 ATB

Examples of installation BKV 80 / 120 ATB



BKV 80 / 120 ATB

The door hinge system for
Aluminium residential doors:
Perfected design, technology and function



GLUSKE – Produkte
die verbinden

BKV 80 ATB

The all-rounder for aluminium doors

- The optimum 3D hinge for all common aluminium door profile systems up to 120 kg
- As-delivered condition, pre-assembled in zero position DIN L/R, sold in packs of 6
- Linear adjustment with no optical change to the hinge body
- Modular design, combination of different hinge and accessory modules



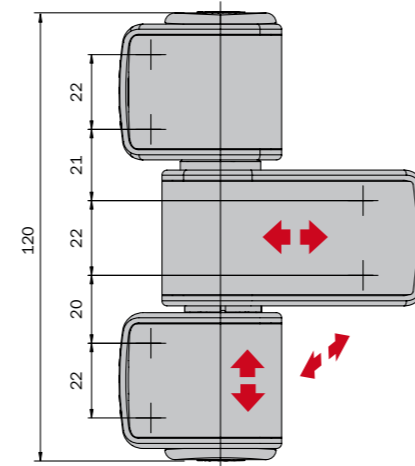
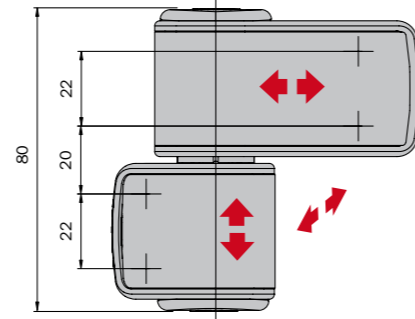
Other product features:

- For inward and outward opening doors
- Maintenance-free, bearing bushes with Teflon
- Patented, surrounding wing and frame cover plate of aluminium (EP 1 023 515 B1)

Service:

- 3D-adjustment of the fitted door by one person
- Modern hinge housing design of die cast material
- Trend-setting surface finish

- Preparation of installation drawings coordinated with the system supplier
- Type of fastening recommended in a dialogue with the customer
- Recommendations for hinge positioning on commercial doors

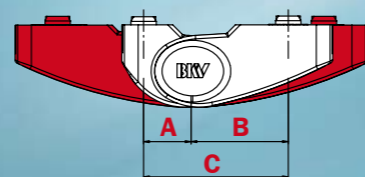


Adjustment possibilities BKV 80 / 120 ATB

- Linear lateral adjustment: +/- 3 mm
- Height adjustment: + 3 mm
- Compression adjustment: +/- 0,75 mm

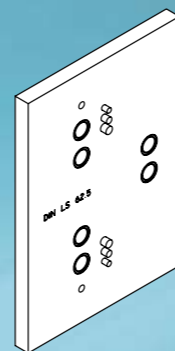
All adjustments on the fitted door can be carried out by one person without having to remove the sash / frame cover plate.

Variants BKV 80 / 120 ATB

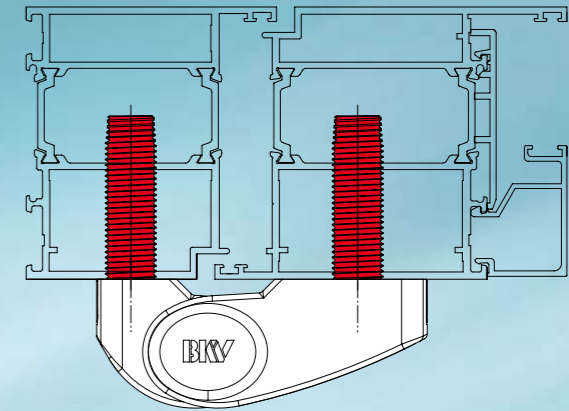
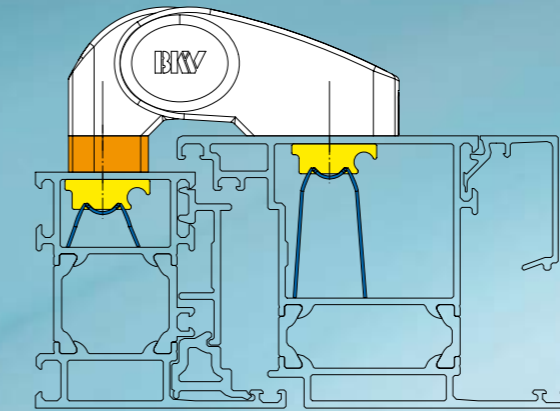


A	B	C
20,5	42,0	62,5
20,5	47,0	67,5
20,5	57,5	78,0
42,0	42,0	84,0
42,0	47,0	89,0
42,0	57,5	99,5
47,0	42,0	89,0
47,0	47,0	94,0
47,0	57,5	104,5
57,5	42,0	99,5
57,5	47,0	104,5
57,5	57,5	115,0

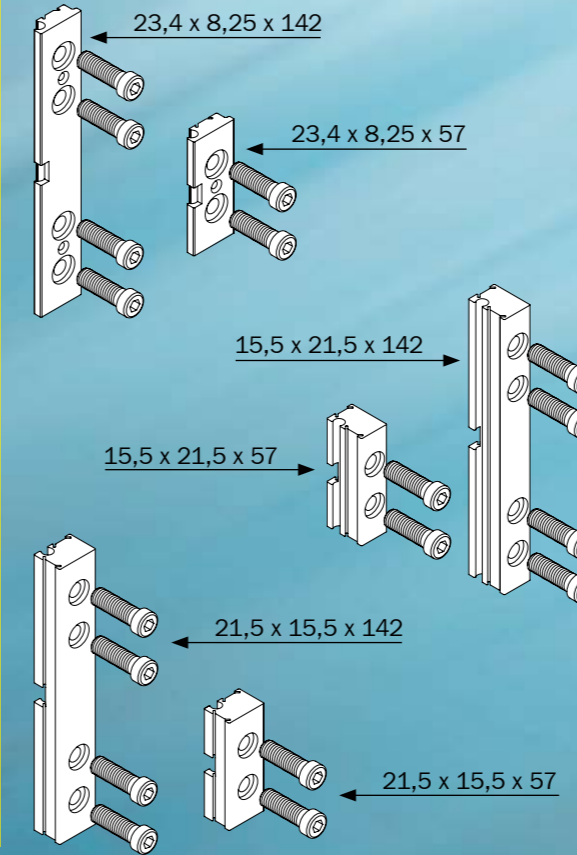
Jigs BKV 80 / 120 ATB



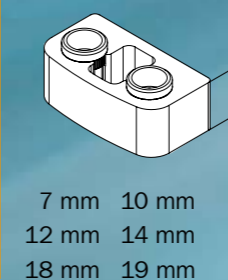
Installation and fastening technology BKV 80 / 120 ATB



Spacers (all screws M8 x 25*)



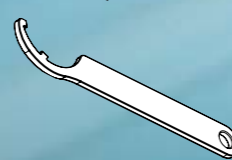
Spacer for surface-offset sections



Stainless spring

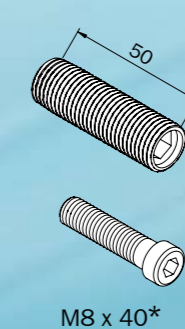


Metal adjusting key for contact pressure



LINKDRILL I

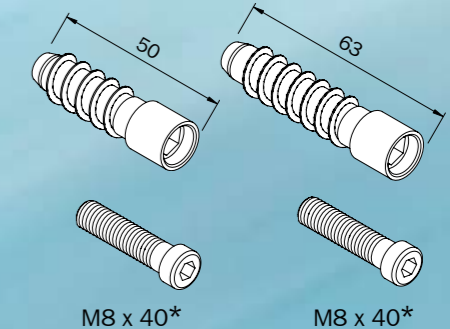
M14



M8 x 40*

LINKDRILL II

Ø 14 mm

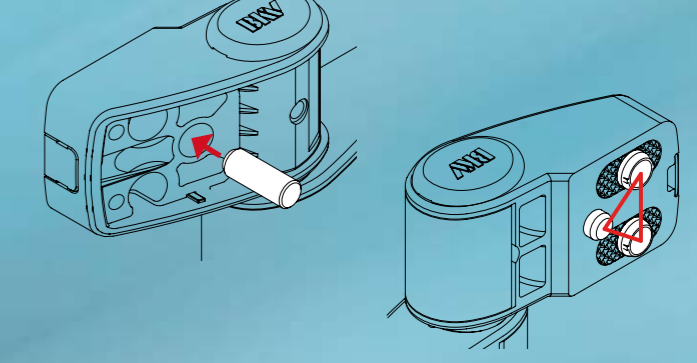


M8 x 40*

M8 x 40*

Location pin

Ø 8 x 28



Locking pin

Ø 5 mm



Fastening screws

M8 x 40

M8 x 50



The fastening program for BKV 80 / 120 ATB rounds off the modular product concept for a wide variety of possible uses.

Spacers

- A classic in fastening technology
- Great stability thanks to special aluminium alloy

LINKDRILL I

- High-quality and economic application
- Suitable for almost all conventionally insulated systems
- No deformation of section walls

LINKDRILL II

- Can be directly fastened to the aluminium shell of wood-alu systems, outward opening, very easily
- Short installation times

Location pin

- Optionally used for highly frequented doors
- Generates a heavy duty

Locking pin

- To additionally secure the screw connection of external hinges



Testing according to EN 1935