

WE OPEN SPACE



Roto Fentro

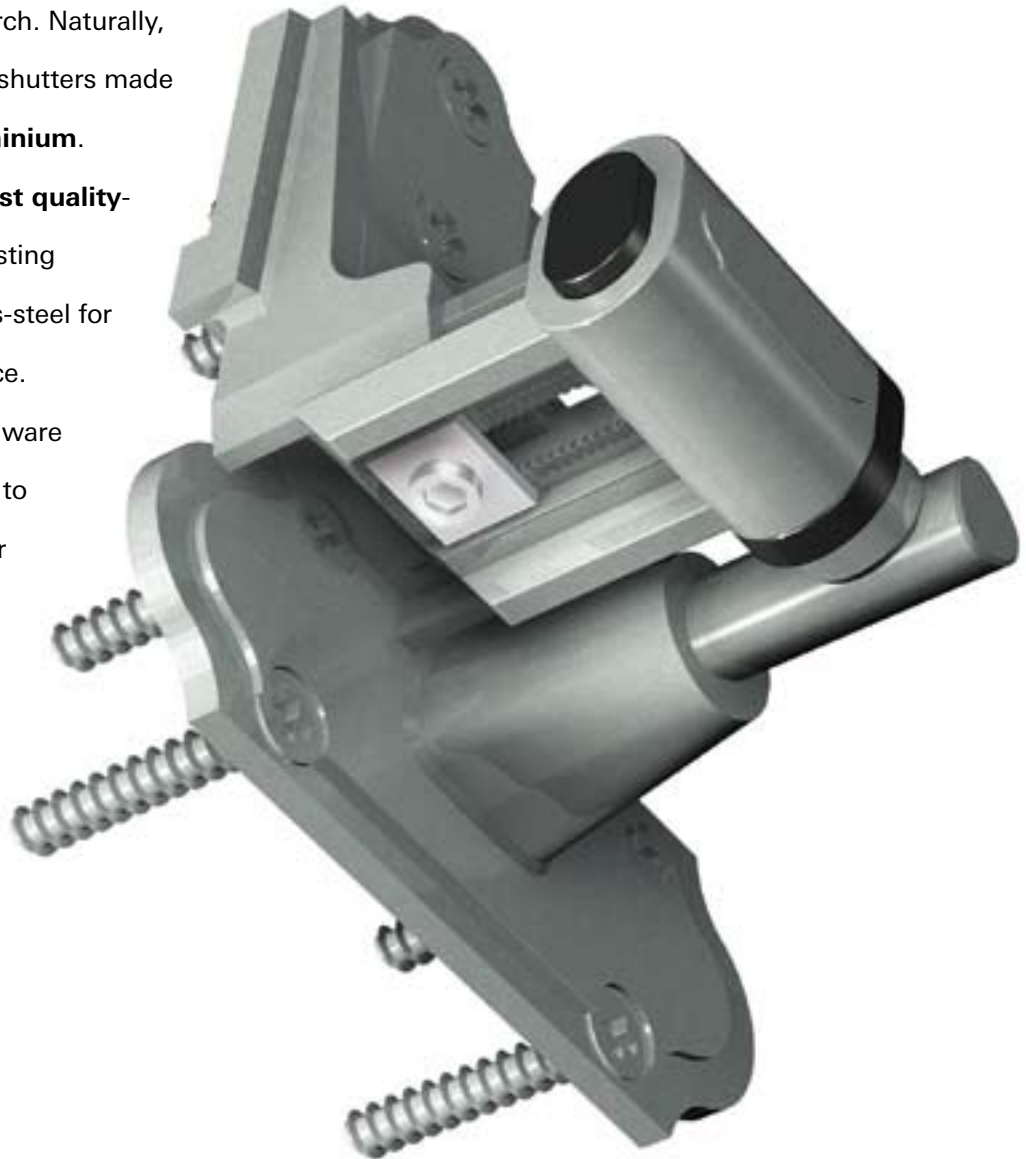
The superior window shutter hardware

Shape and function in perfection

FENTRO: VERSATILE AND HIGH QUALITY EASY TO INSTALL.

Fentro has been designed for particularly diverse applications. Roto Fentro is suitable for **all shutter types**, such as louvre, board and panelled shutters, as well as for shapes such as pitched shutters, segmental arch and round arch. Naturally, Roto Fentro can be used on shutters made of **timber, PVC-U, and aluminium**.

Roto Fentro offers the **highest quality-components**: Even the adjusting screws are made of stainless-steel for improved corrosion resistance. All Roto powder coated hardware components are guaranteed to retain their original colour for many years!



The Roto-Plus: colour design. Clients who place particular value on shutter design, find Roto Fentro hardware fulfils their design requirements: Roto Fentro shutter hardware can be supplied as standard, in the colours black (RAL 9005), white (RAL 9016) and upon request, **in RAL colours** (for example RAL 9022; refer to illustration)! Prices and lead-times for non-standard colours upon request.

FENTRO 200 FRAME INSTALLATION.

Advantages of the Roto Fentro frame installation version: The hardware **installation** can be carried out in the **factory**. The lateral **space required** is 29mm on the slimline version, and 43mm on the broad frame version: slim dimensions make them aesthetically more pleasing! An **integral sash hinge catch** is available upon request, making pre-drilled holes for the shutter catch unnecessary. Depending on the shutter thickness, **reveals of up to 215mm approx.** are possible!



The Roto-Plus: Reduced stock holding by means of the intelligent **modular system**, resulting in less components. **Pre-assembled systems** make installation easier, faster and with fewer problems. On both systems, the frame hinges are supplied pre-assembled!



FENTRO 200 G – FLUSH INSTALLATION WITH WALL REVEAL.

Roto Fentro provides the following advantages: The complete **installation** is carried out directly in the **workshop**. **High stability** without lateral screw-fixing side-stops. Roto Fentro is also suitable for (aluminium) profiles with low **overlap-height** and upon request with **integral sash hinge catch**, making pre-drilled holes for shutter catches unnecessary. Reveal depths up to 185mm approx. are possible.



The Roto-Plus: One adjusting tool!

With a single 4mm Allen key, all adjustments can be carried out!

FENTRO 200 M MASONRY INSTALLATION.

Roto Fentro provides benefits for masonry installations:

All sash hinges are $\pm 3.5\text{mm}$ **height adjustable**. All sash hinges are $\pm 4\text{mm}$ **laterally adjustable**. The frame hinges have an **eccentric adjustment** of $\pm 2.5\text{mm}$. Sash hinges are available for both straight as well as 30° **angled frame**. Sash hinges are also available for **double-sash shutters** with external rotation point, as well as special hinges for **PVC-U profiles** with staggered screw positions to ensure the screw fixings are positioned in the steel reinforcement.



INNOVATION:

Single-handed operation of locking-rod centre-lock

The locking-rod centre-lock enables increased ease of operation by means of the integrated locking and opening function in the operational-knob.

In addition to this:

- Easy single-handed operation
- Three point locking for two and multiple-sashed window and door shutters
- Also suitable as a single-sashed lock
- Ventilation position possible

FENTRO 200 F FLUSH INSTALLATION.

For flush installation, Roto Fentro is available in various sash-hinge offset-dimensions. Fentro 200 M sash hinges are recommended for double-sashed shutters with external rotation point. Profile related hinges are available for PVC-U profiles with staggered screw positions. The surface mounted frame hinges and threaded frame hinges are supplied with the same surface design as the central hinge supports.



The Roto-Plus: Maintenance free.

The hinge sleeve is closed on the top; preventing water penetration. The PVC-U bearing prevents corrosion and ensures a maintenance-free, smooth operation.

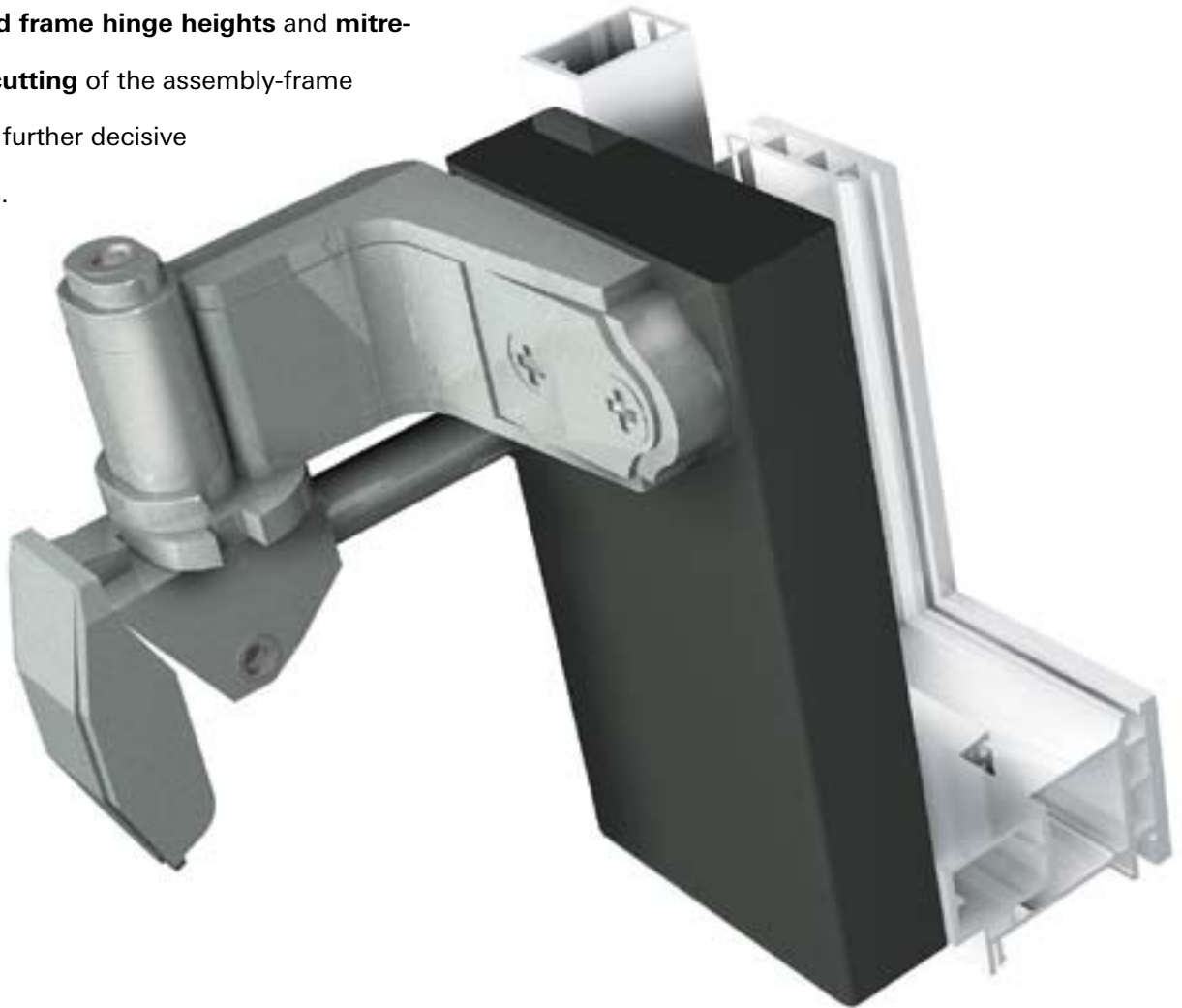


±1,5 and/or 3mm lateral adjustability via eccentric regulator-sleeve!

FENTRO 200 FRAME INSTALLATION.

The frame system was designed especially for PVC-U windows in combination with aluminium window shutters. This system can be retro-fitted on site, making it particularly suitable for renovation projects. The **minimum lateral space required** is 34mm. It is **compatible** with the sash hinge catch, making pre-drilled holes for shutter catches in the masonry brickwork unnecessary.

Pre-defined frame hinge heights and **mitre-free joint cutting** of the assembly-frame system are further decisive advantages.



Roto: global presence and over 60 years experience sets us apart.

Our commitment and willingness to innovate, coupled with quality and reliability distinguishes Roto.



The quality of our products has been proven over many years. The Roto company group is represented globally with production plants and sales companies all over Europe, as well as in the USA and China.

COMPETENCE WITHOUT BOUNDARIES

International subsidiaries:

Germany Roto Frank AG Velbert factory Eintrachtstrasse 10 42551 Velbert Tel +49 2051 203-1 Fax +49 2051 203-251	Belgium S.A. Roto Frank N.V. Rue du Bosquet 1 Zoning Industriel II 1400 Nivelles Tel +32 67 894140 Fax +32 67 841456 E-Mail info.bel@roto.be	Peoples Republic of China Beijing Roto Frank Building Materials Co., Ltd. Xindudongzhan, East of Xisanqi, Haidian District 100 096, Beijing Tel +86 10 82950045/46 Fax +86 10 82920115 E-Mail info.china@roto-frank.com	France Roto Frank Ferrures S.A.S. 42 rue de Longchamp 57502 Saint Avold Cédex Tel +33 3 87292440 Fax +33 3 87292444	Great Britain Roto Frank Ltd. Swift Point Rugby, CV21 1QH Tel +44 1788 558600 Fax +44 1788 558605 E-Mail info.uk@roto-frank.com
Netherlands Roto Frank B.V. Dorpsstraat 134 3991 BZ Houten Tel +31 30 6385550 Fax +31 30 6342840 E-Mail info.nl@roto-frank.com	Austria Roto Frank Eisenwarenfabrik AG Lapp-Finze-Straße 21 8401 Kalsdorf Tel +43 3135 504-0 Fax +43 3135 52727	Poland Roto Frank Okucia Budowlane Sp z oo Wal Miedzeszynski 402 03-994 Warsaw Tel +48 22 87216-00/-04 Fax +48 22 87216-11 E-Mail info.pl@roto-frank.com	Romania Roto Romania S.r.l. Calea 13 Septembrie, Nr. 226 Bl. V54, Sc. 1, Ap. 10, Sect.5 7000 Bucharest Tel +40 21 2004700 Fax +40 21 2004701 E-Mail info.ro@roto-frank.com	Russia Roto Frank AG Kosmodamianskaja nab. 52, Geb. 1 113054 Moscow Tel +7 095 96124-27/-30 Fax +7 095 96124-31 E-Mail info@roto.ru
Switzerland Roto Frank AG Bernstrasse 390 8953 Dietikon Tel +41 1 7458555 Fax +41 1 7458556 E-Mail info@roto.ch	Spain Roto Frank S.A. C/ Ca n'Esteve No. 4B 08160 Montmeló (Barcelona) Tel +34 93 5689048 Fax +34 93 5689092 E-Mail info.sp@roto-frank.com	Turkey Roto Frank Ltd. Sti. Alemdağ Cad. Site Yolu No. 10 34768 Ümraniye - Istanbul Tel +90 216 6340901 Fax +90 216 6341578 E-Mail info.tr@roto-frank.com	Hungary Roto Elzett Vasalatkereskedelmi Kft. 9461 Lövö Kossuth u. 25 Tel +36 99 534-400 Fax +36 99 367-132 E-Mail info.hun@roto-frank.com	USA Roto Frank of America, Inc. Research Park Chester, CT 06412 Tel +1 860 526 4996 Fax +1 860 526 8390 E-Mail info.usa@roto-frank.com

International representatives:

Estonia Roto Frank Ehitusrautised OÜ Peterburi tee 81-512 11415 Tallinn Tel +372 632 6980 Fax +372 632 6980 E-Mail roto@uninet.ee	Greece Eurotechnica Industrial area of Thessaloniki A7 O.T. 18 Nr. 34 57022 Sindos/P.O. Box 198 Tel +30 310 796950 Fax +30 310 796783 E-Mail eurotech@eurotechnica.gr	Italy SARI S.r.l. Via delle Industrie 2, no. 8 30020 Meolo (VE) Tel +39 0421 618611 Fax +39 0421 618455 E-Mail info@sarimeolo.com	Italy Tekno System S.r.l. Zona Industriale SS 89 Km. 9,800 71011 Apricena (FG) Tel +39 0882 647671 Fax +39 0882 647669 E-Mail info@teknoroto.it
Slovenia Roto Lož d.o.o. Cesta 19. oktobra 52 1386 Stari trg pri Ložu Tel +386 1 7095-100 Fax +386 1 7095-190	Czech Republic Roto Nové Město Kříčková ulice 373 59231 Nové Město na Moravě Tel +420 566 652411 Fax +420 566 652413 E-Mail nove.mesto@roto-nm.cz	Ukraine Roto Frank AG ul. Marina Raskowoj, 17-612 02002 Kiev Tel +380 44 5010418 Fax +380 44 5685396 E-Mail rotokiev@adamant.net	Belarus Roto Frank AG Str. R. Luxemburg 220036 Minsk Tel +375 17 2561911 Fax +375 17 2561912 E-Mail rotominsk@tut.by

Roto Frank AG – headquarters

Stuttgarter Strasse 145–149 • 70771 Leinfelden-Echterdingen • Germany
Telephone: +49 711 7598-0 • Telefax: +49 711 7598-253
info@roto-frank.com • www.roto-frank.com • www.infoline-beschlaege.de

WE OPEN SPACE

